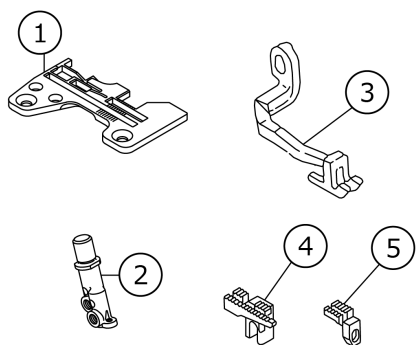


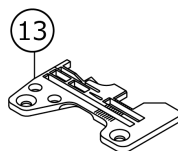
MOR-3904 SUBCLASSES/MOR-3916/MOR-3943

MOR-3900 SUBCLASSES (1)

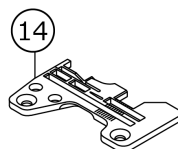
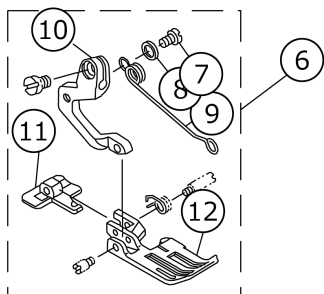
MOR-3916-BE4-300
MOR-3916E-BE4-300



MOR-3916-DD4-300
MOR-3916E-DD4-300



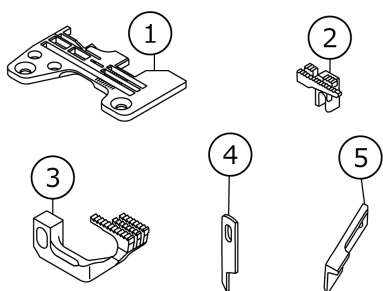
MOR-3916-DF4-300
MOR-3916E-DF4-300



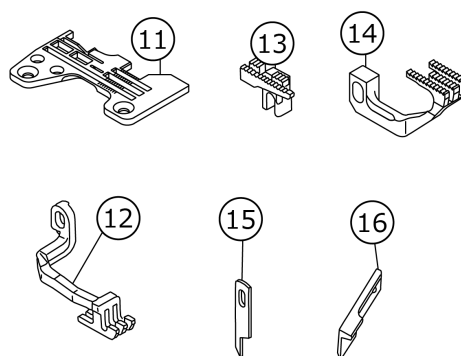
No.	品番	品名	備考	子部品	消耗品	個数
1	R4505J0ED00	THROAT PLATE				1.00
2	12150009	CHAIN LOOPER NEEDLE CLAMP				1.00
3	11937000	TOP FEED DOG				1.00
4	11882602	MAIN FEED DOG				1.00
5	11887304	AUXILIARY FEED DOG				1.00
6	11932753	PRESSER FOOT ASM.				1.00
7	SS7080520SP	SCREW 1/8-44 L=4.9		*		1.00
8	WP0371026SD	WASHER 3.7X7X1		*		1.00
9	11931102	PRESSER FOOT SPRING		*		1.00
10	11925203	PRESSER FOOT HINGE		*		1.00
11	11929601	REAR PRESSER FOOT		*		1.00
12	11926607	PRESSER FOOT		*		1.00
13	R4508J0DD00	THROAT PLATE				1.00
14	R4508J0FD00	THROAT PLATE				1.00

MOR-3900 SUBCLASSES (2)

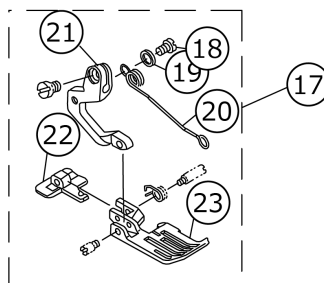
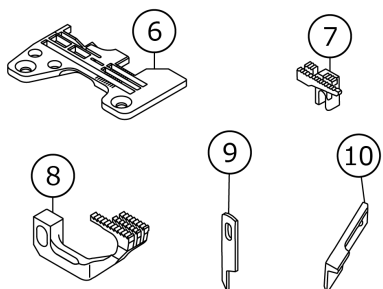
MOR-3916-DD6-300
MOR-3916E-DD6-300



MOR-3916-DF6-300
MOR-3916E-DF6-300



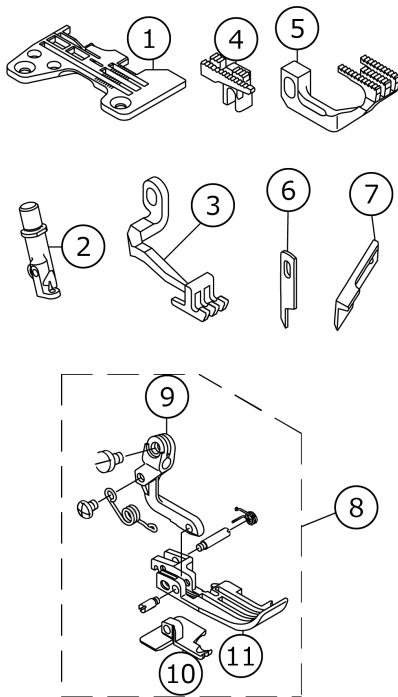
MOR-3916-DE6-300
MOR-3916E-DE6-300



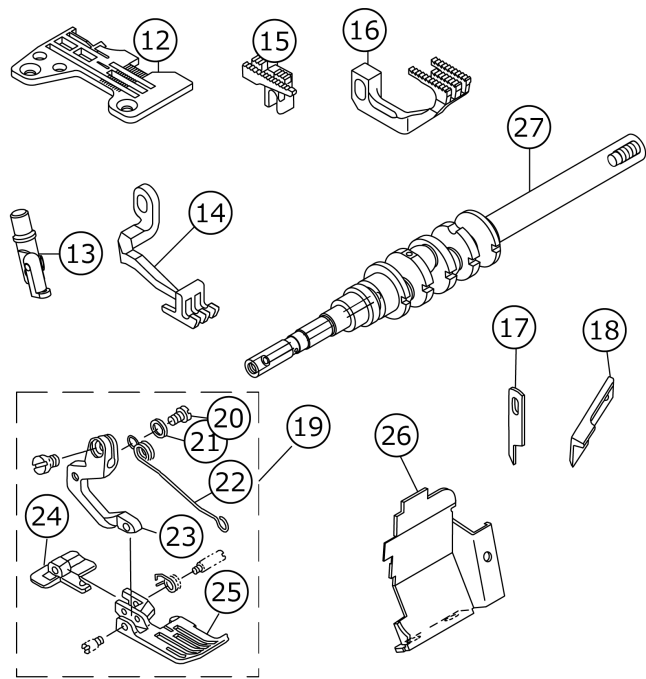
No.	品番	品名	備考	子部品	消耗品	個数
1	R4608J0DD00	THROAT PLATE				1.00
2	11882909	MAIN FEED DOG				1.00
3	12173209	DIFFERENTIAL FEED DOG				1.00
4	11845609	KNIFE	FOR JAPAN			1.00
5	11845807	UPPER KNIFE	FOR EXPORT			1.00
6	R4608J0ED00	THROAT PLATE				1.00
7	11882909	MAIN FEED DOG				1.00
8	12173209	DIFFERENTIAL FEED DOG				1.00
9	11845609	KNIFE	FOR JAPAN			1.00
10	11845807	UPPER KNIFE	FOR EXPORT			1.00
11	R4608J0FD00	THROAT PLATE				1.00
12	11937109	TOP FEED DOG				1.00
13	11987708	MAIN FEED DOG				1.00
14	12173308	DIFFERENTIAL FEED DOG				1.00
15	11845609	KNIFE	FOR JAPAN			1.00
16	11845807	UPPER KNIFE	FOR EXPORT			1.00
17	11932951	PRESSER FOOT ASM.				1.00
18	SS7080520SP	SCREW 1/8-44 L=4.9		*		1.00
19	WP0371026SD	WASHER 3.7X7X1		*		1.00
20	11931201	PRESSER FOOT SPRING		*		1.00
21	11925302	PRESSER FOOT HINGE		*		1.00
22	11929809	REAR PRESSER FOOT		*		1.00
23	11926805	PRESSER FOOT		*		1.00

MOR-3900 SUBCLASSES (3)

MOR-3916-FF6-300
MOR-3916E-FF6-300



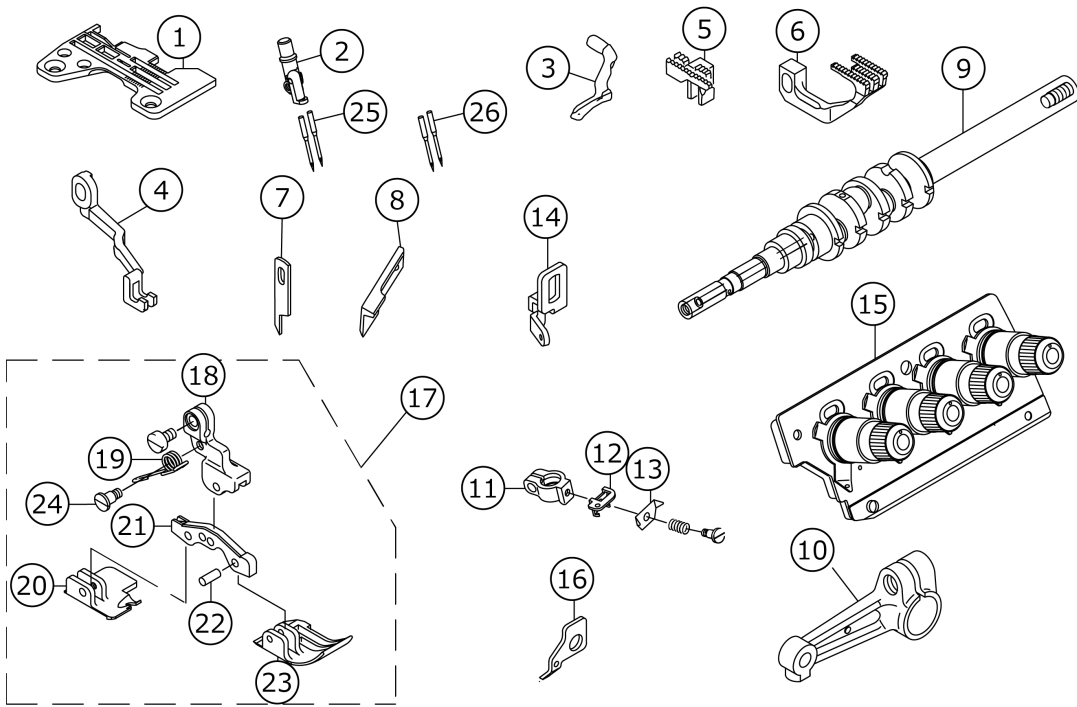
MOR-3916-RH6-30H
MOR-3916E-RH6-30H



No.	品番	品名	備考	子部品	消耗品	個数
1	R4612J0FD00	THROAT PLATE				1.00
2	12150306	NEEDLE CLAMP, CHAIN LOOPER				1.00
3	12330114	TOP FEED DOG				1.00
4	11884004	MAIN FEED DOG				1.00
5	12173308	DIFFERENTIAL FEED DOG				1.00
6	11845609	KNIFE	FOR JAPAN			1.00
7	11845807	UPPER KNIFE	FOR EXPORT			1.00
8	12320552	PRESSER FOOT ASM.				1.00
9	12320701	PRESSER FOOT HINGE		*		1.00
10	12320602	REAR PRESSER FOOT		*		1.00
11	12320503	PRESSER FOOT		*		1.00
12	R4617J0HD00	THROAT PLATE				1.00
13	12150413	NEEDLE CLAMP,CHAIN LOOPER				1.00
14	11937109	TOP FEED DOG				1.00
15	11884004	MAIN FEED DOG				1.00
16	12173308	DIFFERENTIAL FEED DOG				1.00
17	11845609	KNIFE	FOR JAPAN			1.00
18	11845807	UPPER KNIFE	FOR EXPORT			1.00
19	11933157	PRESSER FOOT ASM.				1.00
20	SS7080520SP	SCREW 1/8-44 L=4.9		*		1.00
21	WP0371026SD	WASHER 3.7X7X1		*		1.00
22	11931201	PRESSER FOOT SPRING		*		1.00
23	11925302	PRESSER FOOT HINGE		*		1.00
24	11930005	REAR PRESSER FOOT		*		1.00
25	11927001	PRESSER FOOT		*		1.00
26	12147906	CLOTH WASTE COVER				1.00
27	12303103	MAIN SHAFT				1.00

MOR-3900 SUBCLASSES (4)

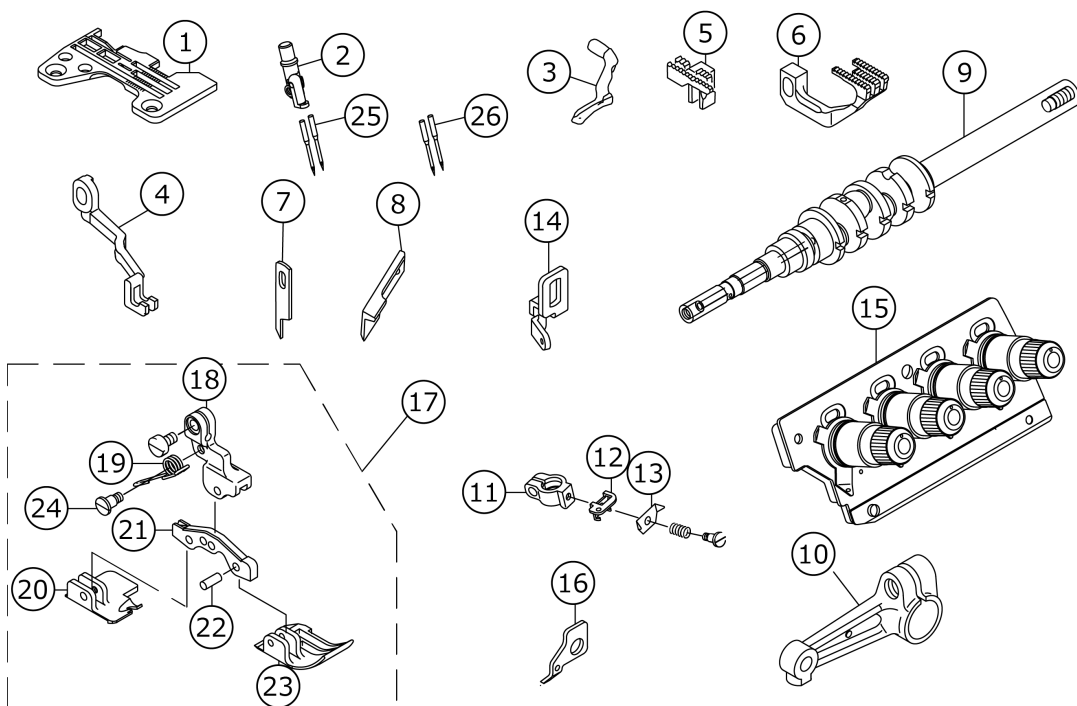
MOR-3916-FF6-50H
MOR-3916E-FF6-50H



No.	品番	品名	備考	子部品	消耗品	個数
1	R4612J0FF00	THROAT PLATE				1.00
2	12150306	NEEDLE CLAMP, CHAIN LOOPER				1.00
3	11991908	UPPER LOOPER				1.00
4	12330205	TOP FEED DOG				1.00
5	11883006	MAIN FEED DOG				1.00
6	12173506	DIFFERENTIAL FEED DOG				1.00
7	11845609	KNIFE	FOR JAPAN			1.00
8	11845807	UPPER KNIFE	FOR EXPORT			1.00
9	12303103	MAIN SHAFT				1.00
10	12122800	UPPER LOOPER ARM B				1.00
11	12304309	NEEDLE CLAMP HOLDER				1.00
12	12304408	NEEDLE THREAD PRESSER GUIDE				1.00
13	12304507	NEEDLE THREAD PRESSER PLATE				1.00
14	12304804	TAKE-UP LEVER GUIDE,CHAIN LOOP				1.00
15	12180865	THREAD GUIDE PLATE ASM.				1.00
16	12304606	TAKE-UP LEVER GUIDE				1.00
17	12320958	PRESSER FOOT ASM.				1.00
18	12320800	PRESSER FOOT HINGE ARM		*		1.00
19	12168506	PRESSER FOOT ARM SPRING		*		1.00
20	12165908	REAR PRESSER FOOT		*		1.00
21	12168407	PRESSER FOOT HINGE		*		1.00
22	11930708	PRESSER FOOT HINGE PIN		*		3.00
23	12320909	PRESSER FOOT		*		1.00
24	B1514816000	SCREW		*		1.00
25	MDC270B1600	NEEDLE DCX27 #16				2.00
26	MC033601000	NEEDLE B-27 NM100				2.00

MOR-3900 SUBCLASSES (5)

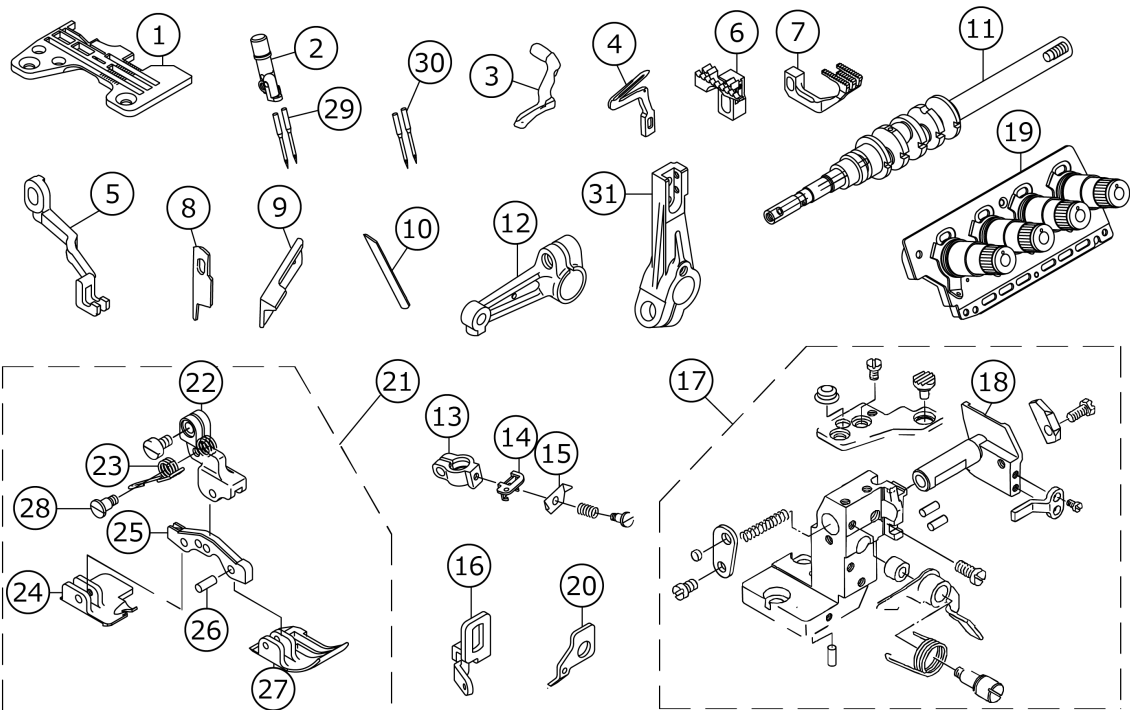
MOR-3916-FH6-50H
MOR-3916E-FH6-50H



No.	品番	品名	備考	子部品	消耗品	個数
1	R4612J0HG00	THROAT PLATE				1.00
2	12150306	NEEDLE CLAMP, CHAIN LOOPER				1.00
3	11991908	UPPER LOOPER				1.00
4	12330205	TOP FEED DOG				1.00
5	11883006	MAIN FEED DOG				1.00
6	12173506	DIFFERENTIAL FEED DOG				1.00
7	11845609	KNIFE	FOR JAPAN			1.00
8	11845807	UPPER KNIFE	FOR EXPORT			1.00
9	12303103	MAIN SHAFT				1.00
10	12122800	UPPER LOOPER ARM B				1.00
11	12304309	NEEDLE CLAMP HOLDER				1.00
12	12304408	NEEDLE THREAD PRESSER GUIDE				1.00
13	12304507	NEEDLE THREAD PRESSER PLATE				1.00
14	12304804	TAKE-UP LEVER GUIDE,CHAIN LOOP				1.00
15	12180865	THREAD GUIDE PLATE ASM.				1.00
16	12304606	TAKE-UP LEVER GUIDE				1.00
17	12320958	PRESSER FOOT ASM.				1.00
18	12320800	PRESSER FOOT HINGE ARM		*		1.00
19	12168506	PRESSER FOOT ARM SPRING		*		1.00
20	12165908	REAR PRESSER FOOT		*		1.00
21	12168407	PRESSER FOOT HINGE		*		1.00
22	11930708	PRESSER FOOT HINGE PIN		*		3.00
23	12320909	PRESSER FOOT		*		1.00
24	B1514816000	SCREW		*		1.00
25	MDC270B1600	NEEDLE DCX27 #16				2.00
26	MC033601000	NEEDLE B-27 NM100	FOR JE			2.00

MOR-3900 SUBCLASSES (6)

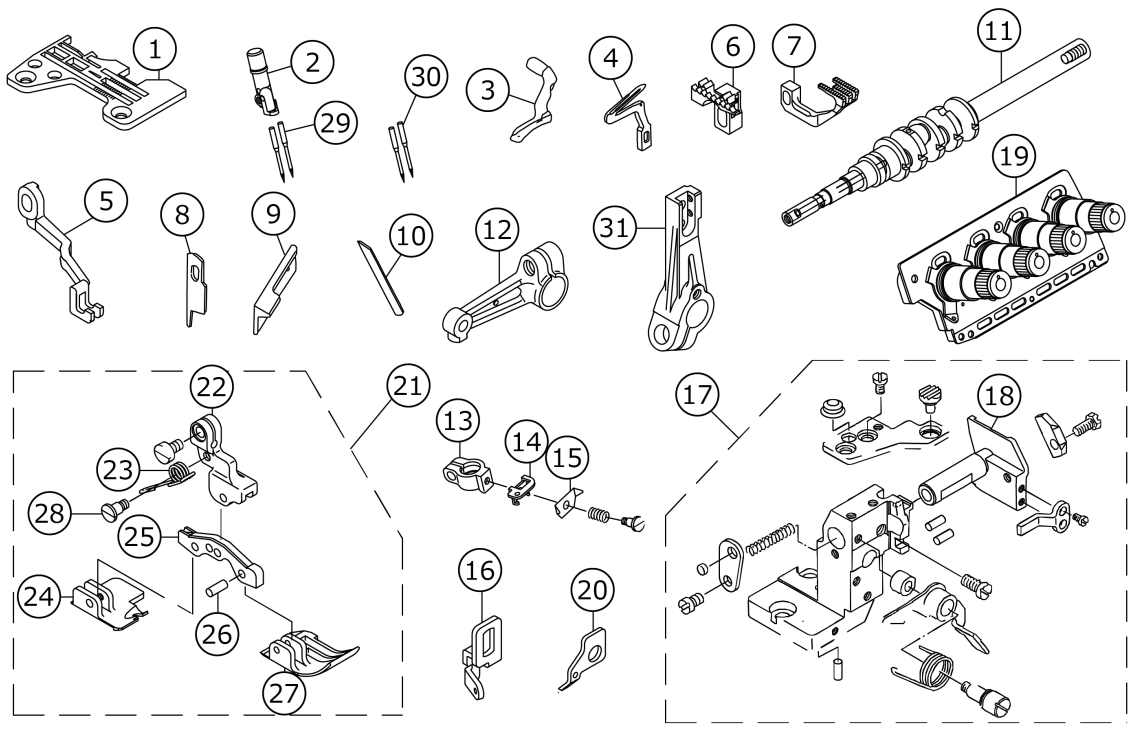
MOR-3916-FF6-60H
MOR-3916E-FF6-60H



No.	品番	品名	備考	子部品	消耗品	個数
1	R4612J0FK00	THROAT PLATE				1.00
2	12150702	NEEDLE CLAMP, CHAIN LOOPER				1.00
3	12176202	UPPER LOOPER				1.00
4	11999802	LOWER LOOPER				1.00
5	12330205	TOP FEED DOG				1.00
6	12171104	MAIN FEED DOG				1.00
7	12174207	DIFFERENTIAL FEED DOG				1.00
8	12004909	KNIFE	FOR JAPAN			1.00
9	B411180400E	UPPER KNIFE	FOR EXPORT			1.00
10	11566502	LOWER KNIFE				1.00
11	12303202	MAIN SHAFT				1.00
12	12122800	UPPER LOOPER ARM B				1.00
13	12304309	NEEDLE CLAMP HOLDER				1.00
14	12304408	NEEDLE THREAD PRESSER GUIDE				1.00
15	12304507	NEEDLE THREAD PRESSER PLATE				1.00
16	12304804	TAKE-UP LEVER GUIDE,CHAIN LOOP				1.00
17	12133682	LOWER KNIFE BRACKET ASM.				1.00
18	12133500	LOWER KNIFE SLIDE STUD		*		1.00
19	12181251	THREAD GUIDE PLATE ASM.				1.00
20	12304606	TAKE-UP LEVER GUIDE				1.00
21	12320958	PRESSER FOOT ASM.				1.00
22	12320800	PRESSER FOOT HINGE ARM		*		1.00
23	12168506	PRESSER FOOT ARM SPRING		*		1.00
24	12165908	REAR PRESSER FOOT		*		1.00
25	12168407	PRESSER FOOT HINGE		*		1.00
26	11930708	PRESSER FOOT HINGE PIN		*		1.00
27	12320909	PRESSER FOOT		*		1.00
28	B1514816000	SCREW		*		1.00
29	MDC270B2100	NEEDLE DCX27 #21				2.00
30	MC033601300	NEEDLE B-27 NM130	FOR JE			2.00
31	12124806	LOWER LOOPER SUPPORT ARM.				1.00

MOR-3900 SUBCLASSES (7)

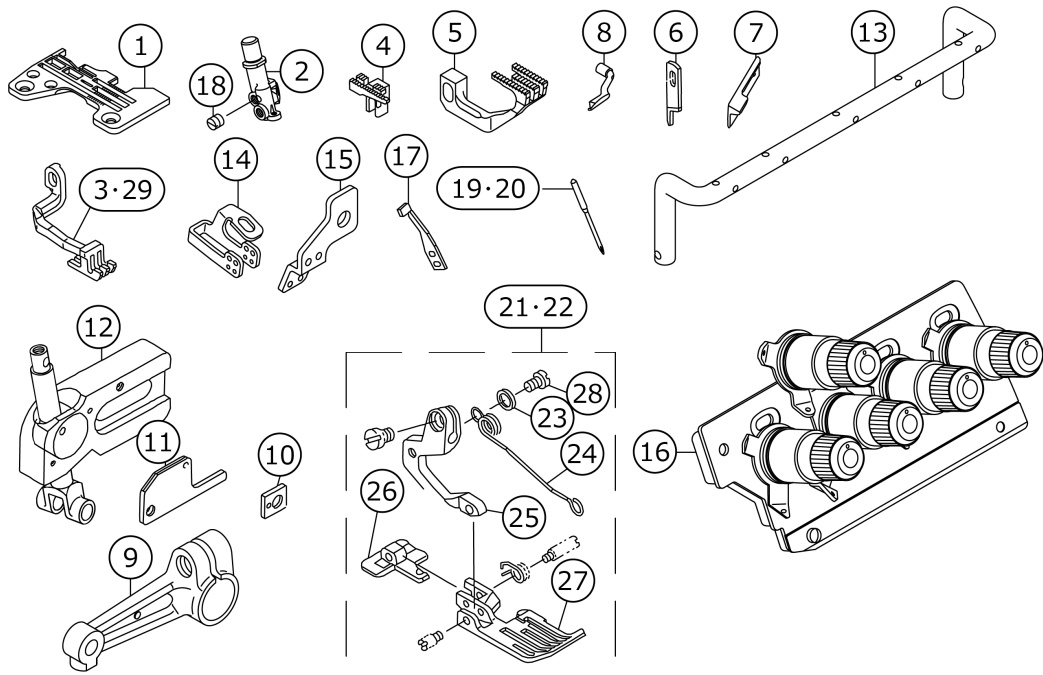
MOR-3916-FH6-60H
MOR-3916E-FH6-60H



No.	品番	品名	備考	子部品	消耗品	個数
1	R4612J0HK00	THROAT PLATE				1.00
2	12150702	NEEDLE CLAMP, CHAIN LOOPER				1.00
3	12176202	UPPER LOOPER				1.00
4	11999802	LOWER LOOPER				1.00
5	12330205	TOP FEED DOG				1.00
6	12171104	MAIN FEED DOG				1.00
7	12174207	DIFFERENTIAL FEED DOG				1.00
8	12004909	KNIFE	FOR JAPAN			1.00
9	B411180400E	UPPER KNIFE	FOR EXPORT			1.00
10	11566502	LOWER KNIFE				1.00
11	12303202	MAIN SHAFT				1.00
12	12122800	UPPER LOOPER ARM B				1.00
13	12304309	NEEDLE CLAMP HOLDER				1.00
14	12304408	NEEDLE THREAD PRESSER GUIDE				1.00
15	12304507	NEEDLE THREAD PRESSER PLATE				1.00
16	12304804	TAKE-UP LEVER GUIDE,CHAIN LOOP				1.00
17	12133682	LOWER KNIFE BRACKET ASM.				1.00
18	12133500	LOWER KNIFE SLIDE STUD		*		1.00
19	12181251	THREAD GUIDE PLATE ASM.				1.00
20	12304606	TAKE-UP LEVER GUIDE				1.00
21	12320958	PRESSER FOOT ASM.				1.00
22	12320800	PRESSER FOOT HINGE ARM		*		1.00
23	12168506	PRESSER FOOT ARM SPRING		*		1.00
24	12165908	REAR PRESSER FOOT		*		1.00
25	12168407	PRESSER FOOT HINGE		*		1.00
26	11930708	PRESSER FOOT HINGE PIN		*		1.00
27	12320909	PRESSER FOOT		*		1.00
28	B1514816000	SCREW		*		1.00
29	MDC270B2100	NEEDLE DCX27 #21				2.00
30	MC033601300	NEEDLE B-27 NM130	FOR JE			2.00
31	12124806	LOWER LOOPER SUPPORT ARM.				1.00

MOR-3900 SUBCLASSES (8)

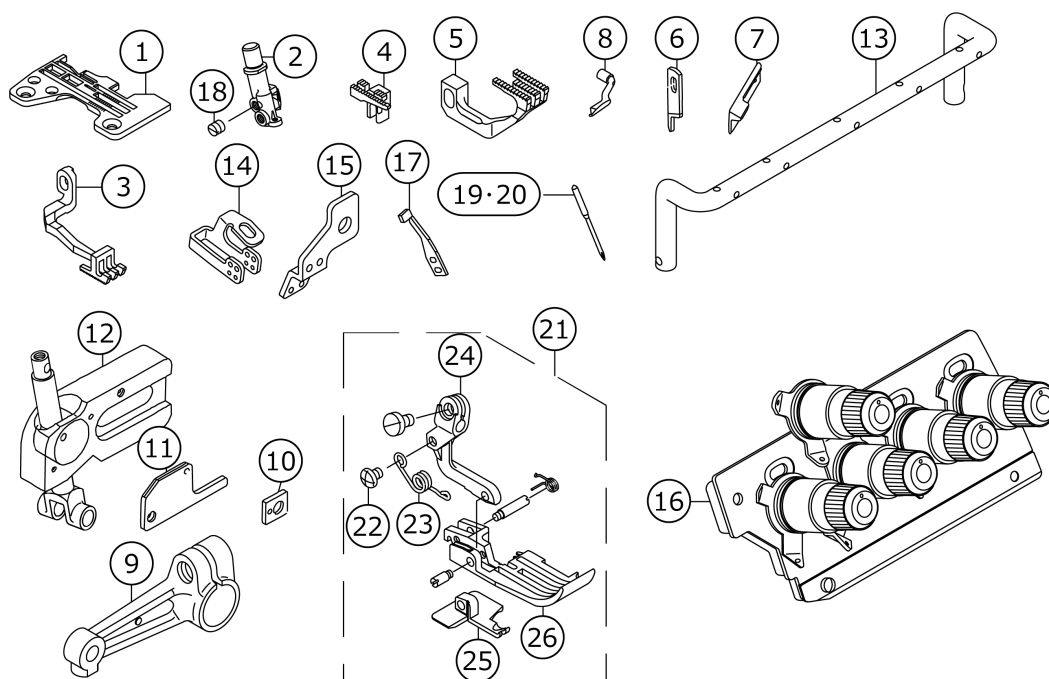
MOR-3943-DBD6-307
MOR-3943E-DBD6-307



No.	品番	品名	備考	子部品	消耗品	個数
1	R4608J0DE01	THROAT PLATE				1.00
2	12150504	CHAIN LOOPER NEEDLE CLAMP				1.00
3	11937109	TOP FEED DOG	FOR JAPAN			1.00
4	11882305	MAIN FEED DOG				1.00
5	12173308	DIFFERENTIAL FEED DOG				1.00
6	11845609	KNIFE	FOR JAPAN			1.00
7	11845807	UPPER KNIFE	FOR EXPORT			1.00
8	12176004	UPPER LOOPER				1.00
9	12122800	UPPER LOOPER ARM B				1.00
10	11831807	GAUGE				1.00
11	B251570400B	UPPER LOOPER GUIDE COVER B				1.00
12	12123154	UPPER LOOPER GUIDE ASM., B				1.00
13	12128401	THREAD GUIDE				1.00
14	12146403	NEEDLE THREAD GUIDE, 3-NEEDLE				1.00
15	12111902	TAKE-UP LEVER GUIDE, 2-NEEDLE				1.00
16	12180964	THREAD GUIDE PLATE ASM.				1.00
17	11999406	NEEDLE HOLDER				1.00
18	SS8080310TP	SCREW 1/8-44 L=2.8				1.00
19	MDC270B1100	NEEDLE DCX27 #11				1.00
20	MC033600750	NEEDLE B-27 NM75	FOR JE			1.00
21	11933355	PRESSER FOOT ASM.	FOR JAPAN			1.00
22	11941457	PRESSER FOOT ASM.	FOR EXPORT			1.00
23	WP0371026SD	WASHER 3.7X7X1		*		1.00
24	11931201	PRESSER FOOT SPRING		*		1.00
25	11925302	PRESSER FOOT HINGE		*		1.00
26	11929809	REAR PRESSER FOOT		*		1.00
27	11927209	PRESSER FOOT		*		1.00
28	SS7080520SP	SCREW 1/8-44 L=4.9		*		1.00
29	11941903	TOP FEED DOG	FOR EXPORT			1.00

MOR-3900 SUBCLASSES (9)

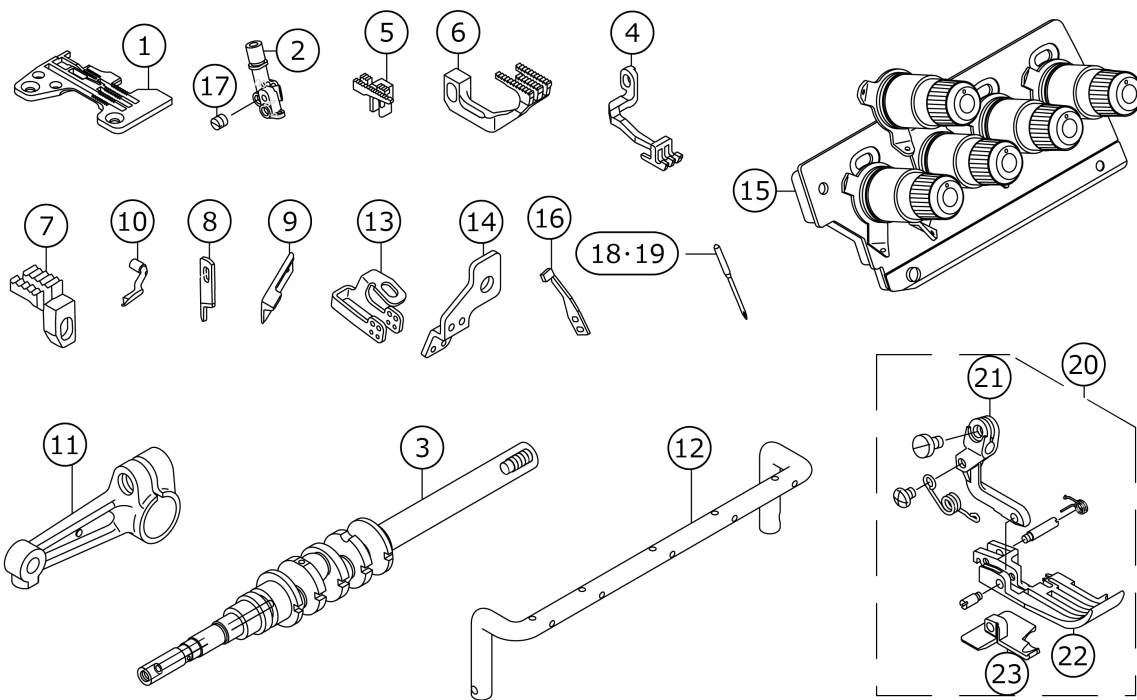
MOR-3943-FBD6-307
MOR-3943E-FBD6-307



No.	品番	品名	備考	子部品	消耗品	個数
1	R4612J0DE01	THROAT PLATE				1.00
2	12150603	CHAIN LOOPER NEEDLE CLAMP				1.00
3	12330114	TOP FEED DOG				1.00
4	11884004	MAIN FEED DOG				1.00
5	12173308	DIFFERENTIAL FEED DOG				1.00
6	11845609	KNIFE	FOR JAPAN			1.00
7	11845807	UPPER KNIFE	FOR EXPORT			1.00
8	12176004	UPPER LOOPER				1.00
9	12122800	UPPER LOOPER ARM B				1.00
10	11831807	GAUGE				1.00
11	B251570400B	UPPER LOOPER GUIDE COVER B				1.00
12	12123154	UPPER LOOPER GUIDE ASM., B				1.00
13	12128401	THREAD GUIDE				1.00
14	12146403	NEEDLE THREAD GUIDE, 3-NEEDLE				1.00
15	12111902	TAKE-UP LEVER GUIDE, 2-NEEDLE				1.00
16	12180964	THREAD GUIDE PLATE ASM.				1.00
17	11999406	NEEDLE HOLDER				1.00
18	SS8080310TP	SCREW 1/8-44 L=2.8				1.00
19	MDC270B1100	NEEDLE DCX27 #11				1.00
20	MC033600750	NEEDLE B-27 NM75	FOR JE			1.00
21	12321451	PRESSER ASM.				1.00
22	SS4080415SP	SCREW 1/8-44 L=4		*		1.00
23	12320305	PRESSER FOOT ARM SPRING		*		1.00
24	12320701	PRESSER FOOT HINGE		*		1.00
25	12320602	REAR PRESSER FOOT		*		1.00
26	12321402	PRESSER FOOT		*		1.00

MOR-3900 SUBCLASSES (10)

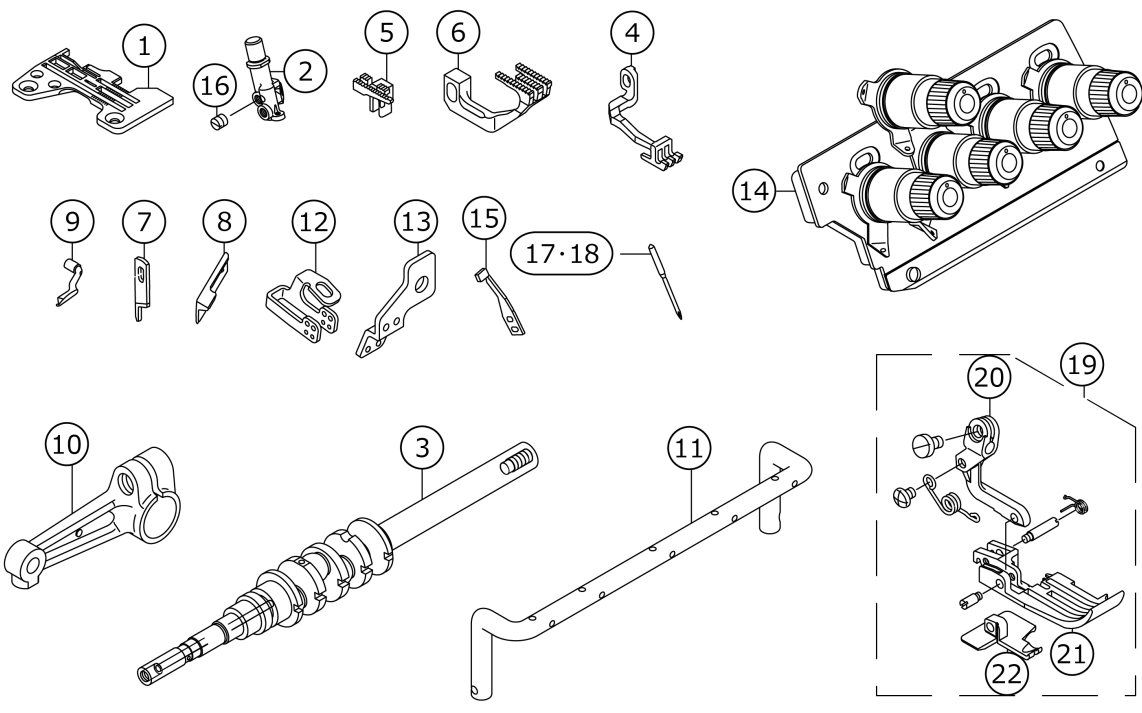
MOR-3943-BBD6-30H
MOR-3943E-BBD6-30H



No.	品番	品名	備考	子部品	消耗品	個数
1	R4605J0DE01	THROAT PLATE				1.00
2	12304903	CHAIN LOOPER NEEDLE CLAMP				1.00
3	12303103	MAIN SHAFT				1.00
4	12330700	TOP FEED DOG				1.00
5	11882701	MAIN FEED DOG				1.00
6	11886801	DIFFERENTIAL FEED DOG				1.00
7	11887304	AUXILIARY FEED DOG				1.00
8	11845609	KNIFE	FOR JAPAN			1.00
9	11845807	UPPER KNIFE	FOR EXPORT			1.00
10	12176103	UPPER LOOPER				1.00
11	12122800	UPPER LOOPER ARM B				1.00
12	12128401	THREAD GUIDE				1.00
13	12146403	NEEDLE THREAD GUIDE, 3-NEEDLE				1.00
14	12111902	TAKE-UP LEVER GUIDE, 2-NEEDLE				1.00
15	12180964	THREAD GUIDE PLATE ASM.				1.00
16	11999406	NEEDLE HOLDER				1.00
17	SS8080310TP	SCREW 1/8-44 L=2.8				3.00
18	MDC270B1100	NEEDLE DCX27 #11				3.00
19	MC033600750	NEEDLE B-27 NM75	FOR EXPORT			3.00
20	12321055	PRESSER ASM.				1.00
21	12320701	PRESSER FOOT HINGE		*		1.00
22	12321006	PRESSER FOOT		*		1.00
23	12321105	REAR PRESSER FOOT		*		1.00

MOR-3900 SUBCLASSES (11)

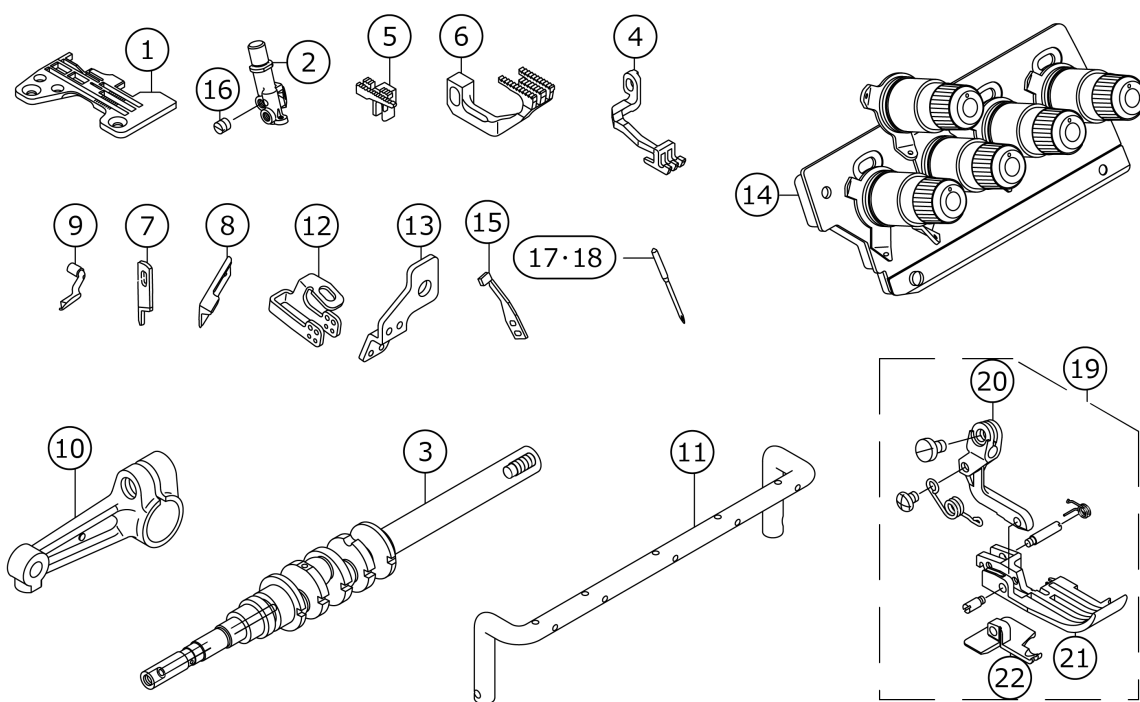
MOR-3943-DBD6-30H
MOR-3943E-DBD6-30H



No.	品番	品名	備考	子部品	消耗品	個数
1	R4608J0DE01	THROAT PLATE				1.00
2	12150504	CHAIN LOOPER NEEDLE CLAMP				1.00
3	12303103	MAIN SHAFT				1.00
4	12330114	TOP FEED DOG				1.00
5	11882305	MAIN FEED DOG				1.00
6	12173308	DIFFERENTIAL FEED DOG				1.00
7	11845609	KNIFE	FOR JAPAN			1.00
8	11845807	UPPER KNIFE	FOR EXPORT			1.00
9	12176103	UPPER LOOPER				1.00
10	12122800	UPPER LOOPER ARM B				1.00
11	12128401	THREAD GUIDE				1.00
12	12146403	NEEDLE THREAD GUIDE, 3-NEEDLE				1.00
13	12111902	TAKE-UP LEVER GUIDE, 2-NEEDLE				1.00
14	12180964	THREAD GUIDE PLATE ASM.				1.00
15	11999406	NEEDLE HOLDER				1.00
16	SS8080310TP	SCREW 1/8-44 L=2.8				3.00
17	MDC270B1100	NEEDLE DCX27 #11				3.00
18	MC033600750	NEEDLE B-27 NM75	FOR EXPORT			3.00
19	12321253	PRESSER ASM.				1.00
20	12320701	PRESSER FOOT HINGE		*		1.00
21	12321204	PRESSER FOOT		*		1.00
22	12321303	REAR PRESSER FOOT		*		1.00

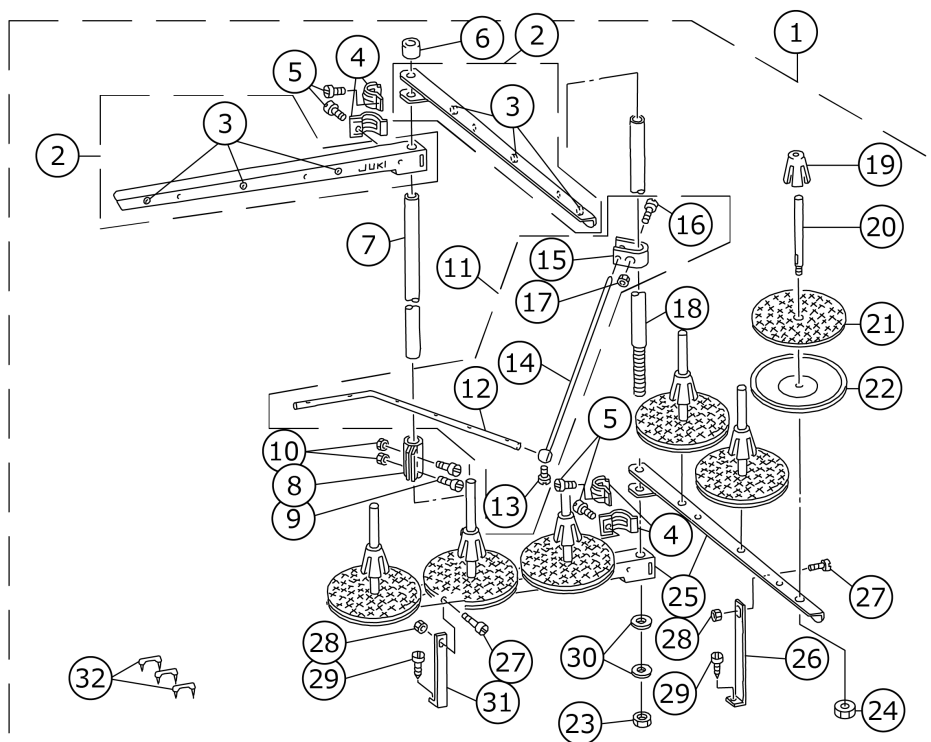
MOR-3900 SUBCLASSES (12)

MOR-3943-FBD6-30H
MOR-3943E-FBD6-30H



No.	品番	品名	備考	子部品	消耗品	個数
1	R4612J0DE01	THROAT PLATE				1.00
2	12275004	NEEDLE CLAMP CHAIN LOOPER.				1.00
3	12303103	MAIN SHAFT				1.00
4	12330114	TOP FEED DOG				1.00
5	11884004	MAIN FEED DOG				1.00
6	12173308	DIFFERENTIAL FEED DOG				1.00
7	11845609	KNIFE	FOR JAPAN			1.00
8	11845807	UPPER KNIFE	FOR EXPORT			1.00
9	12176103	UPPER LOOPER				1.00
10	12122800	UPPER LOOPER ARM B				1.00
11	12128401	THREAD GUIDE				1.00
12	12146403	NEEDLE THREAD GUIDE, 3-NEEDLE				1.00
13	12111902	TAKE-UP LEVER GUIDE, 2-NEEDLE				1.00
14	12180964	THREAD GUIDE PLATE ASM.				1.00
15	11999406	NEEDLE HOLDER				1.00
16	SS8080310TP	SCREW 1/8-44 L=2.8				3.00
17	MDC270B1100	NEEDLE DCX27 #11				3.00
18	MC033600750	NEEDLE B-27 NM75	FOR EXPORT			3.00
19	12321451	PRESSER ASM.				1.00
20	12320701	PRESSER FOOT HINGE		*		1.00
21	12321402	PRESSER FOOT		*		1.00
22	12320602	REAR PRESSER FOOT		*		1.00

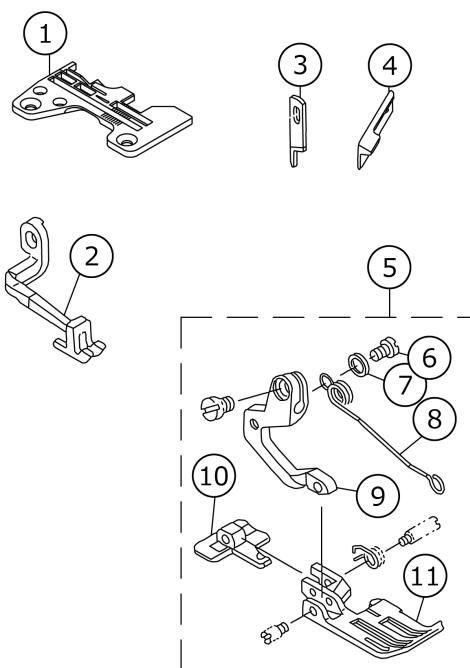
THREAD STAND COMPONENTS (FOR MOR-3943)



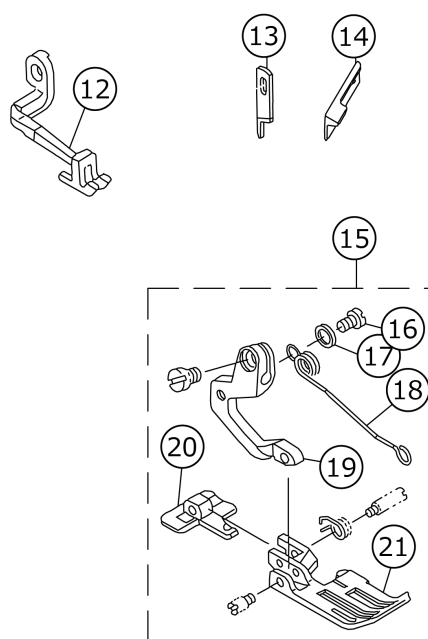
No.	品番	品名	備考	子部品	消耗品	個数
1	11969854	THREAD STAND ASM.				1.00
2	11969565	SPOOL REST ARM A ASM.		*		2.00
3	B3319704L00	THREAD GUIDE		*		6.00
4	B3318704L00A	THREAD GUIDE ARM JOINT		*		4.00
5	SM6061610SC	SCREW M6 L=16		*		4.00
6	B3311704000	SPOOL REST ROD CAP		*		1.00
7	11185204	SPOOL REST ROD,UPPER		*		1.00
8	B3305704000A	SPOOL REST ROD JOINT		*		1.00
9	SM4051405SE	SCREW M5 L=14		*		2.00
10	NM6050001SE	NUT M5		*		2.00
11	B33098430A0	THREAD GUIDE ARM ASM.		*		1.00
12	B3311843000	LOWER THREAD GUIDE		*		1.00
13	SS7110540SP	SCREW 11/64-40 L=5		*		1.00
14	B3309704000	THREAD GUIDE ARM		*		1.00
15	B3304704000A	THREAD GUIDE ARM HOLDER		*		1.00
16	SM6053000SE	SCREW M5X0.8 L=30		*		1.00
17	NM6050001SE	NUT M5		*		1.00
18	11185105	SPOOL REST ROD,LOWER		*		1.00
19	11185501	SPOOL RETAINER		*		6.00
20	B3320704L00A	SPOOL PIN		*		6.00
21	B3311012000	SPOOL REST CUSHION		*		6.00
22	11966504	SPOOL REST		*		6.00
23	B3317704000	NUT		*		1.00
24	NM6050001SE	NUT M5		*		6.00
25	11969508	SPOOL REST ARM A		*		2.00
26	B3321704L0B	SPOOL REST ARM SUPPORT, B		*		1.00
27	SM4061201SE	SCREW M6 L=12		*		2.00
28	NM6060001SE	NUT M6		*		2.00
29	SK3382001SE	SCREW D=3.8 L=20		*		2.00
30	WP1612616SE	WASHER 16X30X2.6		*		2.00
31	B3321704L00	SPOOL REST ARM SUPPORT, A		*		1.00
32	MAO11532000	CORD STAPLE		*		3.00

MOR-3900 SUBCLASSES (13)

MOR-3916-DD4-320
MOR-3916E-DD4-320



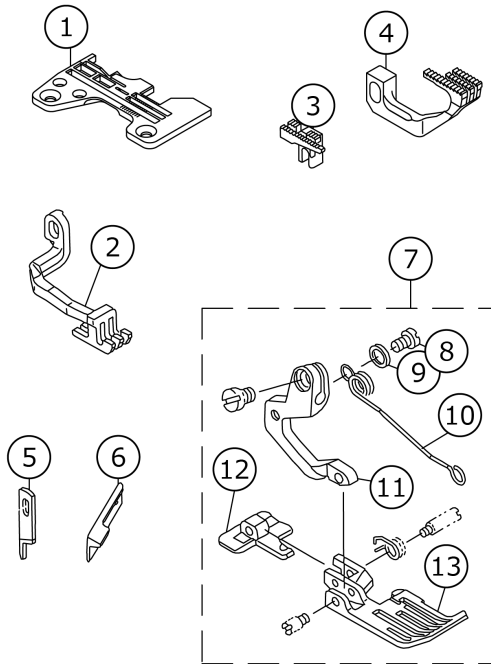
MOR-3916-DE4-320
MOR-3916E-DE4-320



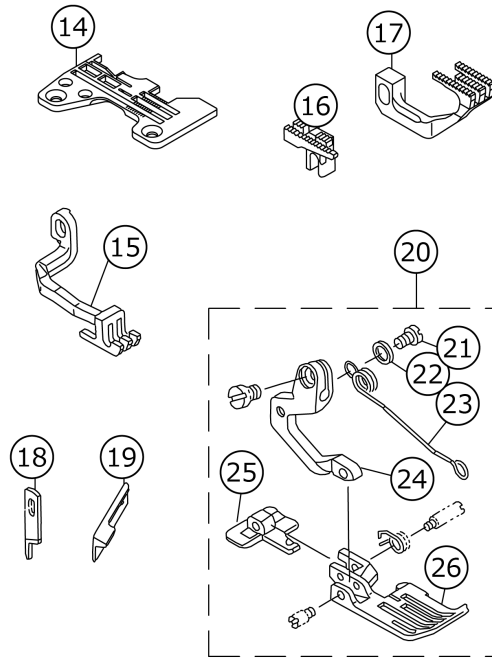
No.	品番	品名	備考	子部品	消耗品	個数
1	R4508J0DD00	THROAT PLATE				1.00
2	12330403	TOP FEED DOG				1.00
3	11845609	KNIFE	FOR JAPAN			1.00
4	11845807	UPPER KNIFE	FOR EXPORT			1.00
5	11934056	PRESSER FOOT ASM.				1.00
6	SS7080520SP	SCREW 1/8-44 L=4.9		*		1.00
7	WP0371026SD	WASHER 3.7X7X1		*		1.00
8	11931102	PRESSER FOOT SPRING		*		1.00
9	11925203	PRESSER FOOT HINGE		*		1.00
10	11935806	REAR PRESSER FOOT		*		1.00
11	11927407	PRESSER FOOT		*		1.00
12	12330403	TOP FEED DOG				1.00
13	11845609	KNIFE	FOR JAPAN			1.00
14	11845807	UPPER KNIFE	FOR EXPORT			1.00
15	11934056	PRESSER FOOT ASM.				1.00
16	SS7080520SP	SCREW 1/8-44 L=4.9		*		1.00
17	WP0371026SD	WASHER 3.7X7X1		*		1.00
18	11931102	PRESSER FOOT SPRING		*		1.00
19	11925203	PRESSER FOOT HINGE		*		1.00
20	11935806	REAR PRESSER FOOT		*		1.00
21	11927407	PRESSER FOOT		*		1.00

MOR-3900 SUBCLASSES (14)

MOR-3916-DE6-320
MOR-3916E-DE6-320



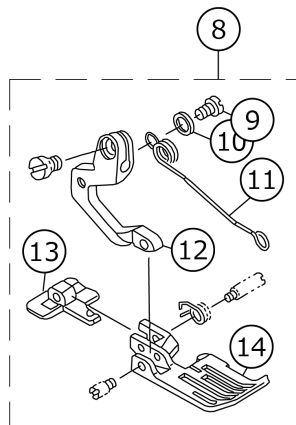
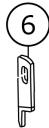
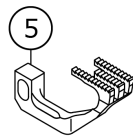
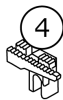
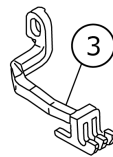
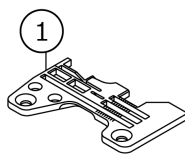
MOR-3916-DF6-320
MOR-3916E-DF6-320



No.	品番	品名	備考	子部品	消耗品	個数
1	R4608J0ED00	THROAT PLATE				1.00
2	12330502	TOP FEED DOG				1.00
3	11882909	MAIN FEED DOG				1.00
4	12173209	DIFFERENTIAL FEED DOG				1.00
5	11845609	KNIFE	FOR JAPAN			1.00
6	11845807	UPPER KNIFE	FOR EXPORT			1.00
7	11939956	PRESSER FOOT ASM.				1.00
8	SS7080520SP	SCREW 1/8-44 L=4.9		*		1.00
9	WP0371026SD	WASHER 3.7X7X1		*		1.00
10	11931102	PRESSER FOOT SPRING		*		1.00
11	11925203	PRESSER FOOT HINGE		*		1.00
12	11929700	REAR PRESSER FOOT		*		1.00
13	11939907	PRESSER		*		1.00
14	R4608J0FD00	THROAT PLATE				1.00
15	12330601	TOP FEED DOG				1.00
16	11987708	MAIN FEED DOG				1.00
17	12173308	DIFFERENTIAL FEED DOG				1.00
18	11845609	KNIFE	FOR JAPAN			1.00
19	11845807	UPPER KNIFE	FOR EXPORT			1.00
20	11932951	PRESSER FOOT ASM.				1.00
21	SS7080520SP	SCREW 1/8-44 L=4.9		*		1.00
22	WP0371026SD	WASHER 3.7X7X1		*		1.00
23	11931201	PRESSER FOOT SPRING		*		1.00
24	11925302	PRESSER FOOT HINGE		*		1.00
25	11929809	REAR PRESSER FOOT		*		1.00
26	11926805	PRESSER FOOT		*		1.00

MOR-3900 SUBCLASSES (15)

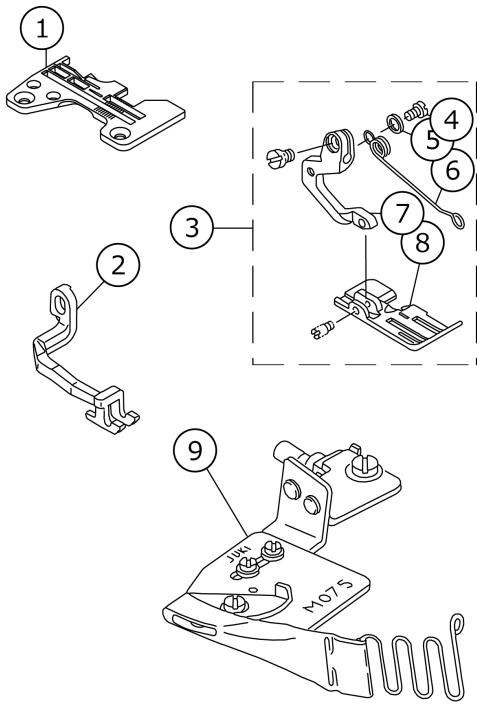
MOR-3916-FF6-320
MOR-3916E-FF6-320



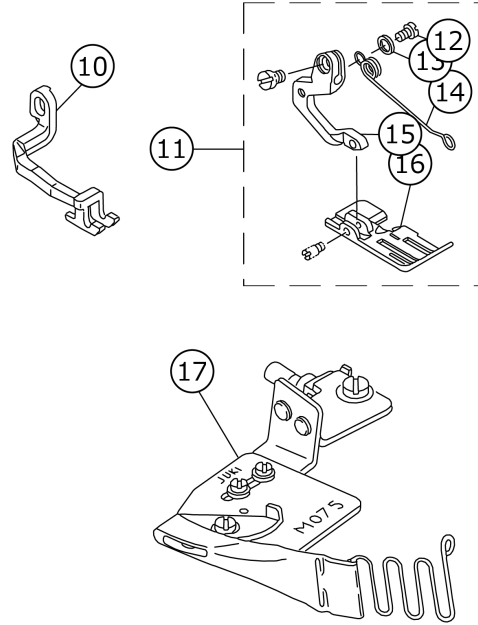
No.	品番	品名	備考	子部品	消耗品	個数
1	R4612J0FD00	THROAT PLATE				1.00
2	12150306	NEEDLE CLAMP, CHAIN LOOPER				1.00
3	12330601	TOP FEED DOG				1.00
4	11884004	MAIN FEED DOG				1.00
5	12173308	DIFFERENTIAL FEED DOG				1.00
6	11845609	KNIFE	FOR JAPAN			1.00
7	11845807	UPPER KNIFE	FOR EXPORT			1.00
8	11933058	PRESSER FOOT ASM.				1.00
9	SS7080520SP	SCREW 1/8-44 L=4.9		*		1.00
10	WP0371026SD	WASHER 3.7X7X1		*		1.00
11	11931201	PRESSER FOOT SPRING		*		1.00
12	11925302	PRESSER FOOT HINGE		*		1.00
13	11929908	REAR PRESSER FOOT		*		1.00
14	11926904	PRESSER FOOT		*		1.00

MOR-3900 SUBCLASSES (16)

MOR-3916-DD4-330/M075
MOR-3916E-DD4-330/M075



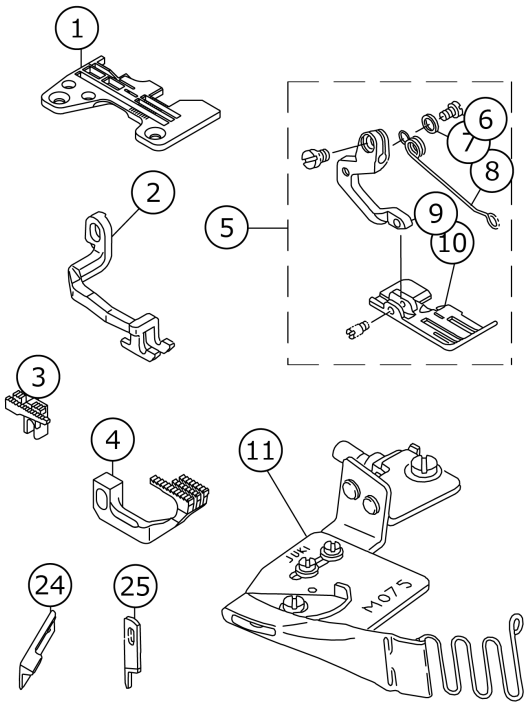
MOR-3916-DE4-330/M075
MOR-3916E-DE4-330/M075



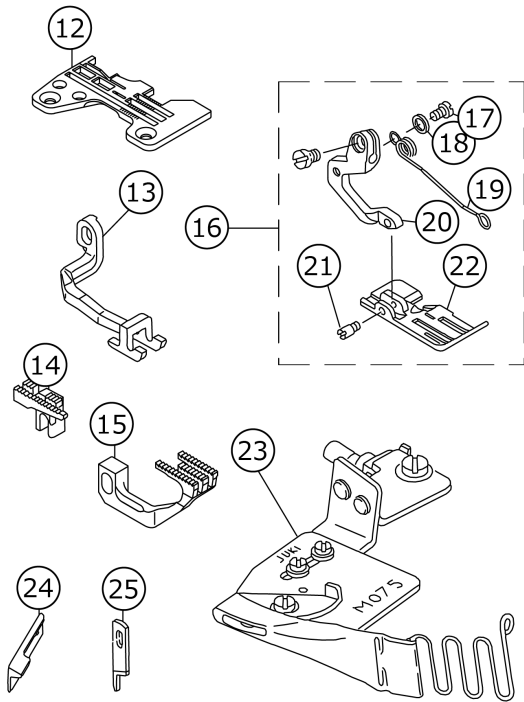
No.	品番	品名	備考	子部品	消耗品	個数
1	R4508J0DD00	THROAT PLATE				1.00
2	11938008	TOP FEED DOG				1.00
3	11934254	PRESSER FOOT ASM.				1.00
4	SS7080520SP	SCREW 1/8-44 L=4.9		*		1.00
5	WP0371026SD	WASHER 3.7X7X1		*		1.00
6	11931102	PRESSER FOOT SPRING		*		1.00
7	11925203	PRESSER FOOT HINGE		*		1.00
8	11927605	PRESSER FOOT		*		1.00
9	MAM0750J0A0	PIPING FOLDER ASM. 9MM				1.00
10	11938008	TOP FEED DOG				1.00
11	11934254	PRESSER FOOT ASM.				1.00
12	SS7080520SP	SCREW 1/8-44 L=4.9		*		1.00
13	WP0371026SD	WASHER 3.7X7X1		*		1.00
14	11931102	PRESSER FOOT SPRING		*		1.00
15	11925203	PRESSER FOOT HINGE		*		1.00
16	11927605	PRESSER FOOT		*		1.00
17	MAM0750J0A0	PIPING FOLDER ASM. 9MM				1.00

MOR-3900 SUBCLASSES (17)

MOR-3916-DE6-330/M075
MOR-3916E-DE6-330/M075



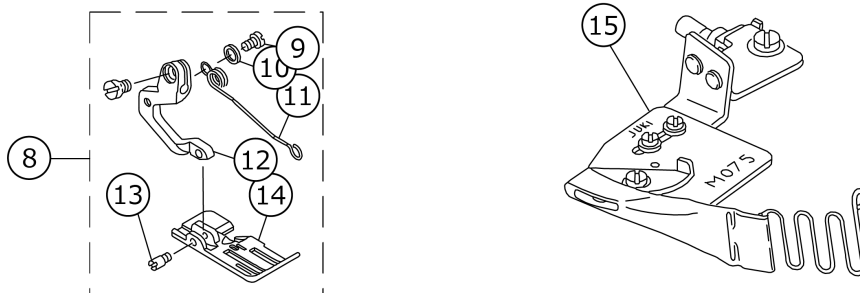
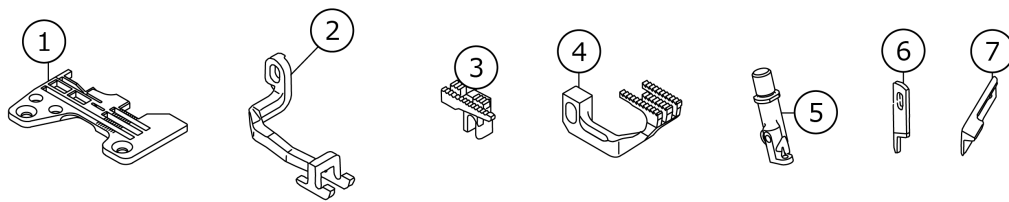
MOR-3916-DF6-330/M075
MOR-3916E-DF6-330/M075



No.	品番	品名	備考	子部品	消耗品	個数
1	R4608J0ED00	THROAT PLATE				1.00
2	11938008	TOP FEED DOG				1.00
3	11882909	MAIN FEED DOG				1.00
4	12173209	DIFFERENTIAL FEED DOG				1.00
5	11934254	PRESSER FOOT ASM.				1.00
6	SS7080520SP	SCREW 1/8-44 L=4.9		*		1.00
7	WP0371026SD	WASHER 3.7X7X1		*		1.00
8	11931102	PRESSER FOOT SPRING		*		1.00
9	11925203	PRESSER FOOT HINGE		*		1.00
10	11927605	PRESSER FOOT		*		1.00
11	MAM0750J0A0	PIPING FOLDER ASM. 9MM				1.00
12	R4608J0FD00	THROAT PLATE				1.00
13	11938107	TOP FEED DOG				1.00
14	11987708	MAIN FEED DOG				1.00
15	12173308	DIFFERENTIAL FEED DOG				1.00
16	11934353	PRESSER FOOT ASM.				1.00
17	SS7080520SP	SCREW 1/8-44 L=4.9		*		1.00
18	WP0371026SD	WASHER 3.7X7X1		*		1.00
19	11931201	PRESSER FOOT SPRING		*		1.00
20	11925203	PRESSER FOOT HINGE		*		1.00
21	11930609	HINGE PIN		*		1.00
22	11927704	PRESSER FOOT		*		1.00
23	MAM0750J0A0	PIPING FOLDER ASM. 9MM				1.00
24	11845807	UPPER KNIFE	FOR EXPORT			1.00
25	11845609	KNIFE	FOR JAPAN			1.00

MOR-3900 SUBCLASSES (18)

MOR-3916-FF6-330/M075
MOR-3916E-FF6-330/M075



No.	品番	品名	備考	子部品	消耗品	個数
1	R4612J0FD00	THROAT PLATE				1.00
2	11938107	TOP FEED DOG				1.00
3	11884004	MAIN FEED DOG				1.00
4	12173308	DIFFERENTIAL FEED DOG				1.00
5	12150306	NEEDLE CLAMP, CHAIN LOOPER				1.00
6	11845609	KNIFE	FOR JAPAN			1.00
7	11845807	UPPER KNIFE	FOR EXPORT			1.00
8	11934452	PRESSER FOOT ASM.				1.00
9	SS7080520SP	SCREW 1/8-44 L=4.9		*		1.00
10	WP0371026SD	WASHER 3.7X7X1		*		1.00
11	11931201	PRESSER FOOT SPRING		*		1.00
12	11925203	PRESSER FOOT HINGE		*		1.00
13	11930609	HINGE PIN		*		1.00
14	11927803	PRESSER FOOT		*		1.00
15	MAM0750J0A0	PIPING FOLDER ASM. 9MM				1.00

HOW TO MAKE USE OF THIS PARTS LIST

1.Explanation of codes

1)"*"mark.....means this part is changed from the previous parts book.

As to the details of the change, refer to the "List for information of change".

2)"#01".....refer to "Note" explanation at bottom of page.

2.Codes on the "Qty" column

· Each numeral indicates the number of parts required.

· "0.1" and "2.5" indicate the length (in meters) of the respective parts.

3.Parentheses mean that the corresponding part is a subpart that constructs an assembly part.

4.Dotted lines on the Figures indicate assembly parts.

1."注記"欄の記号説明

1) "*"印.....前回のパーツブックに比較して今回変更された部品を意味します。

変更内容は、"変更情報リスト"を参照してください。

2) "#01".....ページ下の"注記"の説明を参照してください。

2.数量欄の数字は、個数を表し、0.1、2.5等の数値は、長さ（単位メートル）を表します。

3.数量欄の（ ）は、組部品を構成している子部品であることを意味します。

4.イラストページの-----枠は、組構成であることを意味します。